



Mobile Healthcare Vehicles

## FIELD HOSPITAL





# MOBILE FIELD HOSPITAL

## Container

Enak Field Hospital is an innovative medical facility that offers detailed medical care, similar to a traditional hospital but with added units. It is designed to provide quick and effective solutions in the face of extraordinary situations. The hospital can be customized to meet the specific needs of its customers, in addition to its standard configuration. The main structure of the hospital is made up of a variety of ISO containers, which provide a flexible and adaptable space for medical treatment. This unique approach ensures that patients receive the best possible care, no matter where they are located.

- Area Dimensions : 28.5 m x 17 m
- 7 x Container ISO 20 ft IC-4010
- 5 x Container Expandable

### Emergency

Intensive Care Unit x2

Operating Theatre x2

Laboratory Unit

Pharmacy Unit

X-ray Unit

Laundry Unit

Sterilization Unit

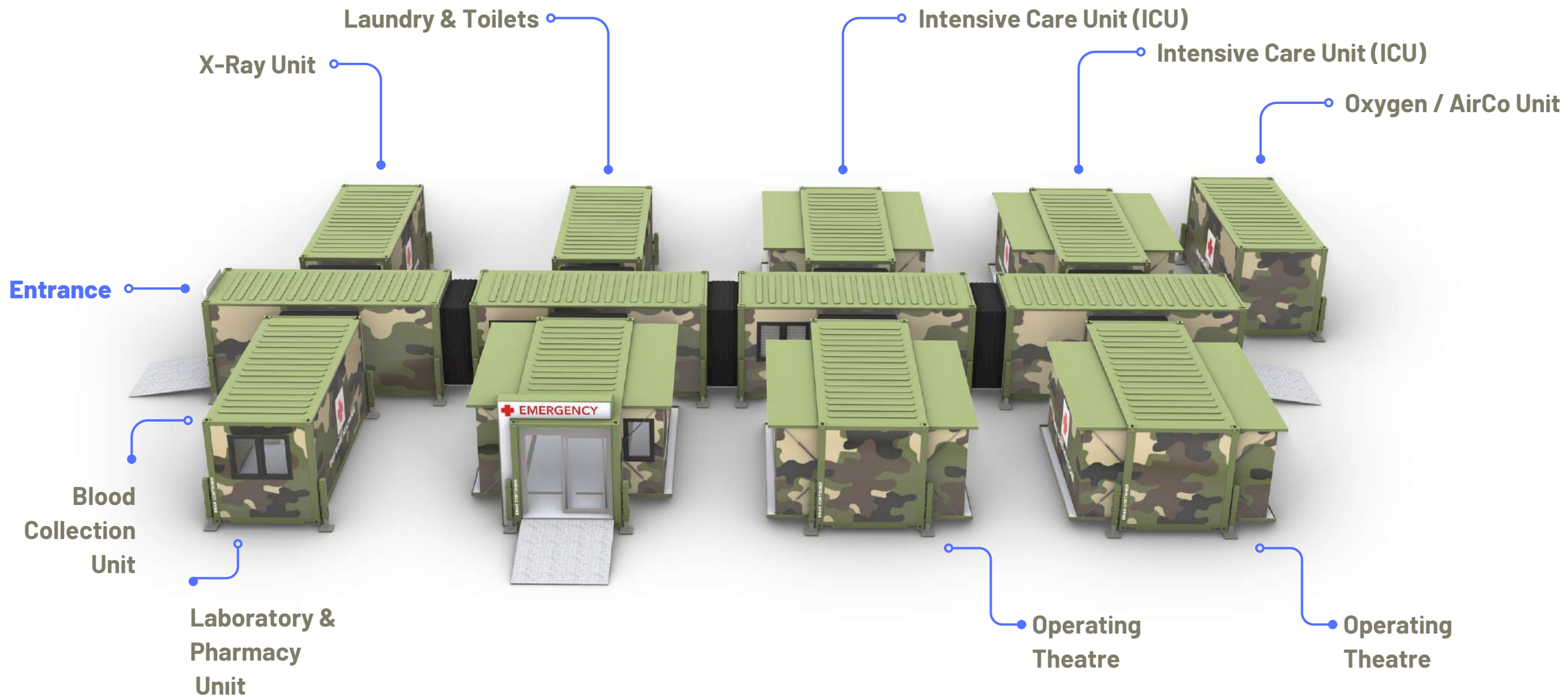
Blood Collection Unit

Power&Water Network

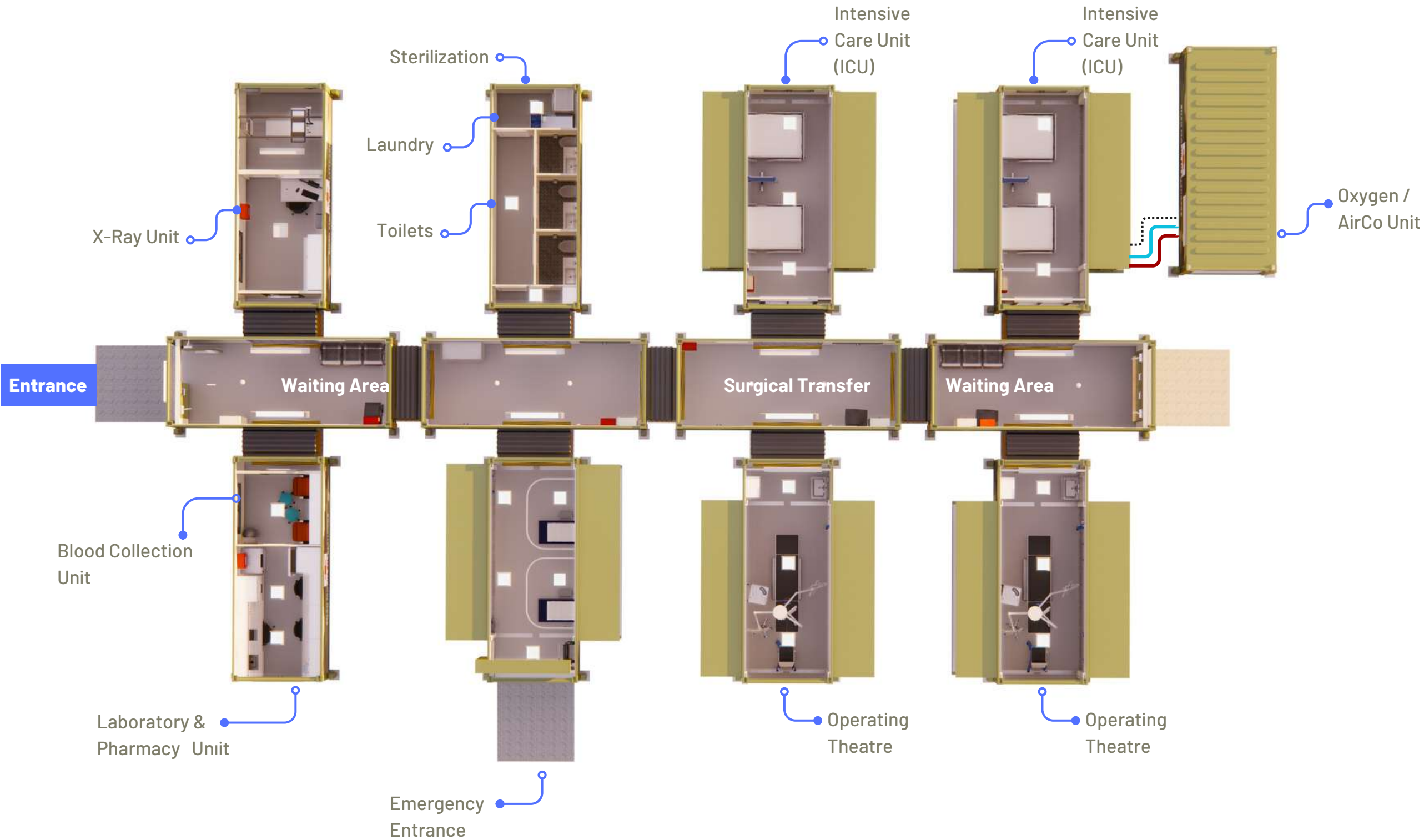
Toilets



# MOBILE FIELD HOSPITAL Project Plan



# MOBILE FIELD HOSPITAL Project Plan

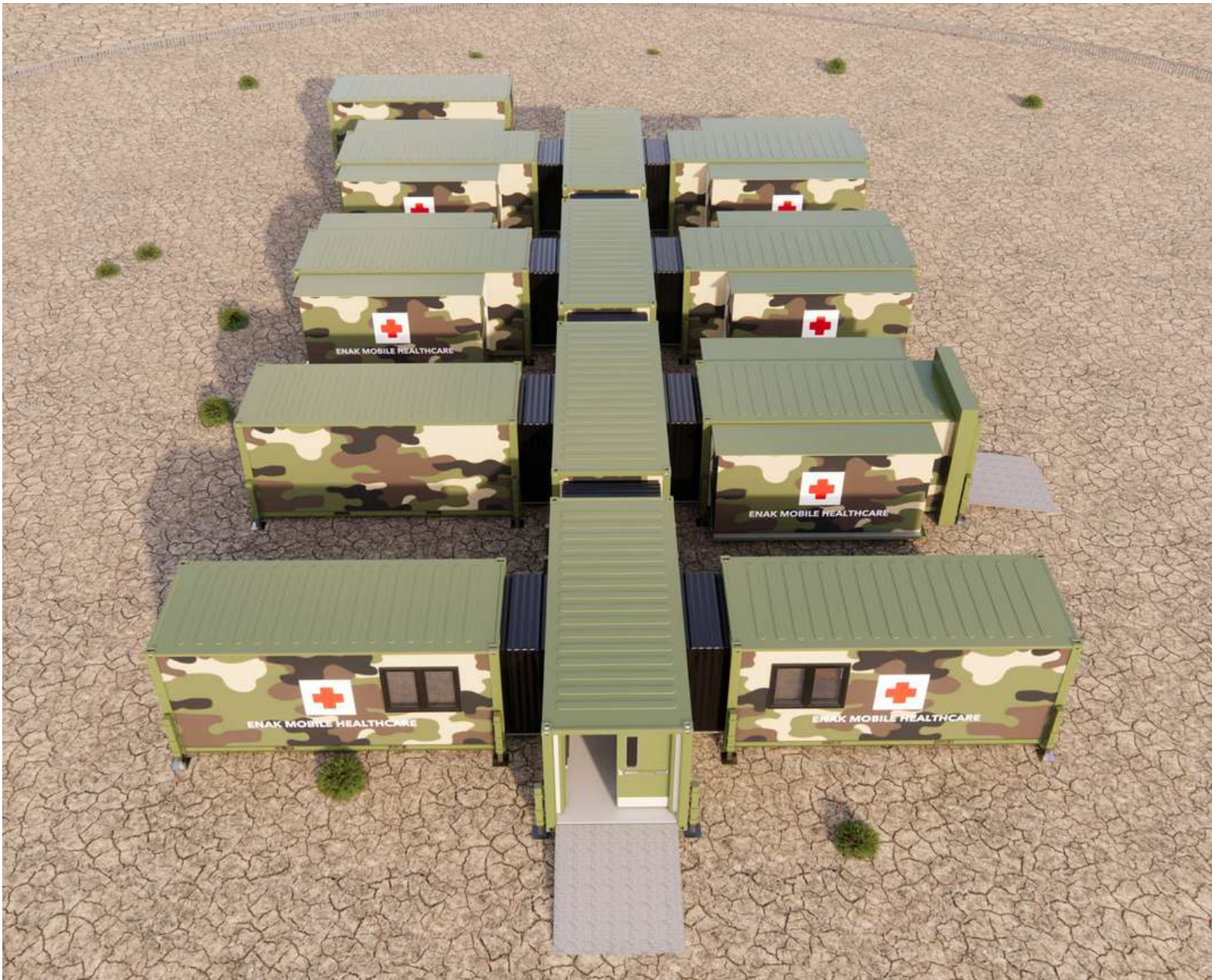


Exterior Design





Exterior Design



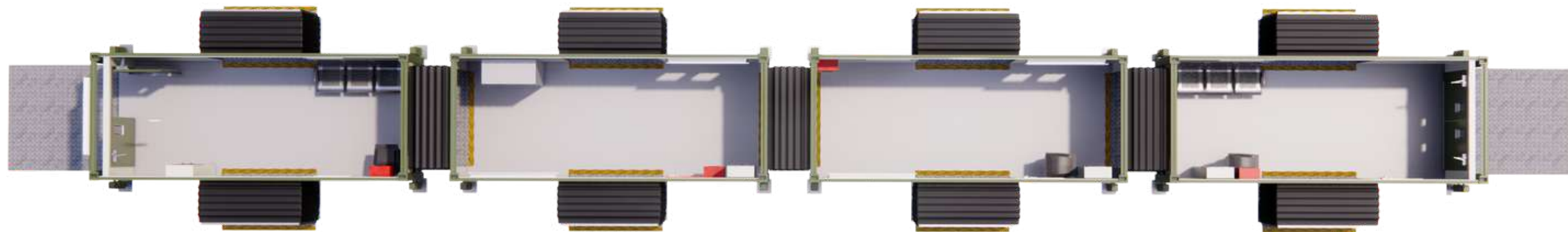
## MOBILE FIELD HOSPITAL Entrance



The entrance section of the field hospital is designed to connect different departments together and create a modular space. Made up of 4 containers, this corridor also houses essential electrical and ventilation systems, ensuring the hospital is fully functional. With this modular design, more departments and patient beds can be easily added as needed, based on customer requests.

To enable easy movement between departments, special interconnecting corridors have been included in the design. These corridors, positioned according to each standard 20 ft container, enable units to be easily connected to the corridor, depending on the condition of the installation land.

To enhance the functionality of the space, waiting areas have been included at both the beginning and end of the corridor. Additionally, to ensure smooth flow, an exit door has been included at the end of the corridor, reducing congestion and ensuring a safe and efficient movement of patients and staff. Overall, this modular design ensures that the field hospital can be flexible enough to cater to the evolving needs of patients and healthcare providers.





Entrance



Entrance



Entrance



## MOBILE FIELD HOSPITAL Laboratory & Blood Collection Unit



This department plays a crucial role in the functioning of field hospitals. One of the key advantages of using containers is that they can be quickly set up and easily transported when needed. The department provides blood drawing and laboratory services, which are essential for effective treatment of patients.

The blood drawing section and laboratory inside the container are equipped with all necessary tools and equipment, enabling healthcare professionals to diagnose and treat patients quickly. There is enough space for healthcare professionals who will perform the blood drawing process, and all tests and analyses required by patients can be performed in the laboratory section. Thanks to this, patients can be diagnosed and treated promptly.



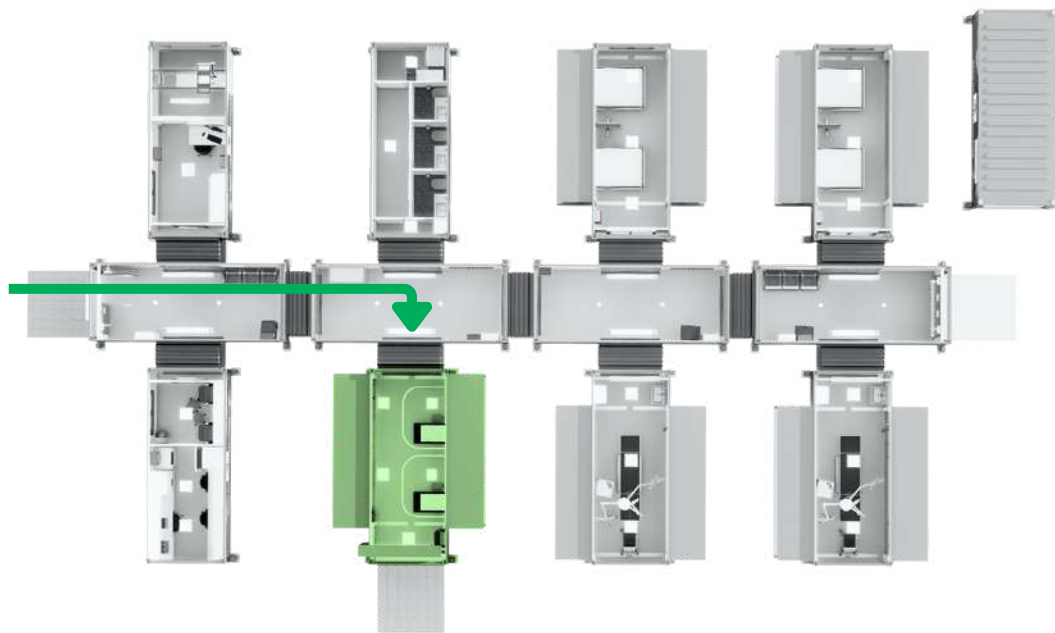
Laboratory & Blood Collection Unit



Laboratory & Blood Collection Unit

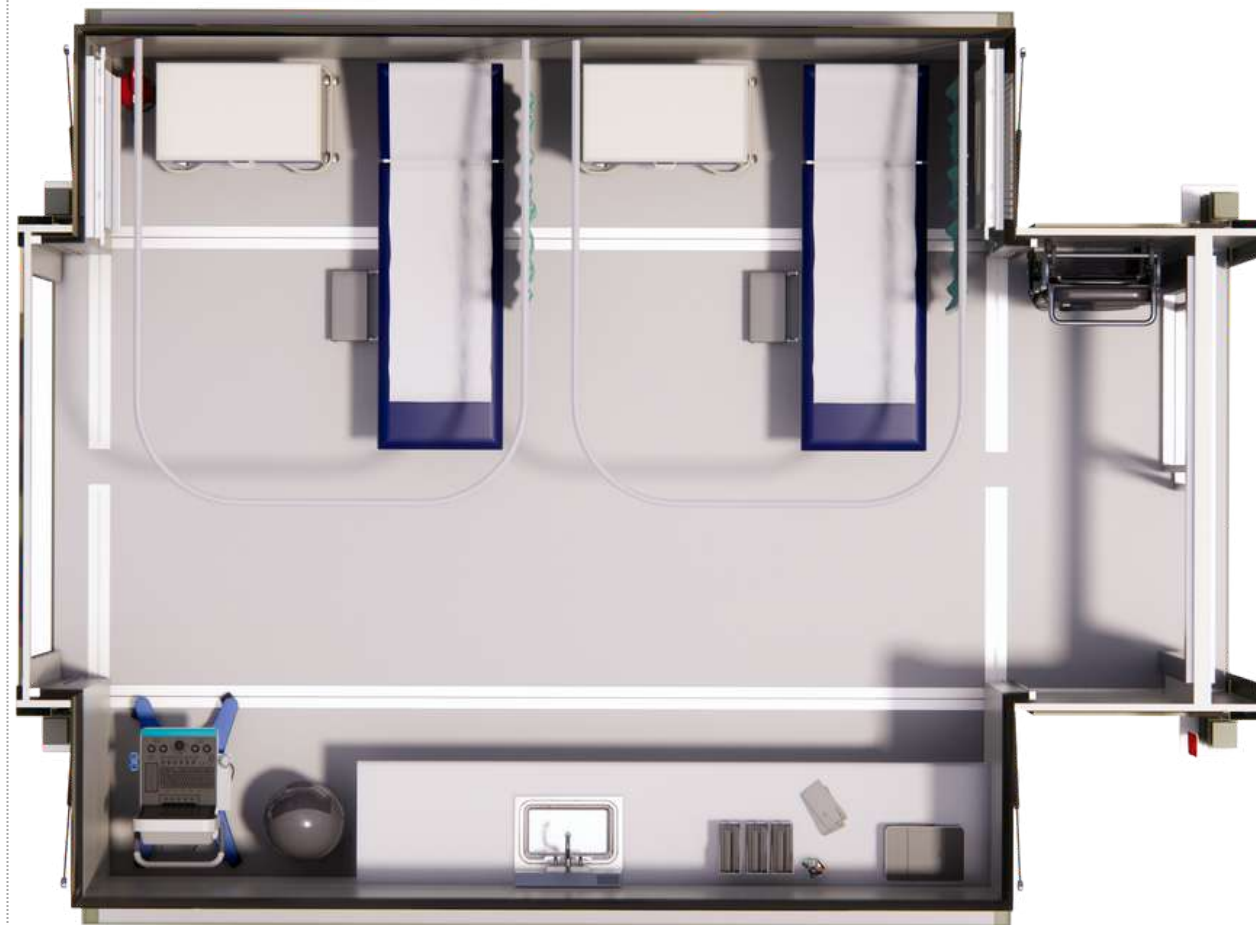


## MOBILE FIELD HOSPITAL Emergency Unit



The expandable 20 ft container plays a crucial role in emergency situations, especially in field hospitals. Its unique design allows for an increased interior volume that can be transformed into a functional space for providing prompt and effective care to patients in critical condition. This department is equipped with all the necessary medical equipment and supplies to stabilize the patient before transferring them to the relevant department for further care.

The ability to quickly assess the patient's condition and initiate treatment can be the deciding factor between life and death. In summary, this department is an indispensable asset for any field hospital, providing a flexible and functional space for treating patients in critical condition.



Emergency Unit









## MOBILE FIELD HOSPITAL X-ray Unit



This department, built on a 20ft container, is specially designed for conducting radiology tests in field hospitals. The container is divided into two rooms. The X-Ray machine is located in a specially coated room, while the other room is designated as a waiting area for patients and an operator room.

There is a glass partition for the operator to observe the patient during the X-ray procedure. Additionally, there is a table for managing radiology procedures and cabinets for storing inventory.

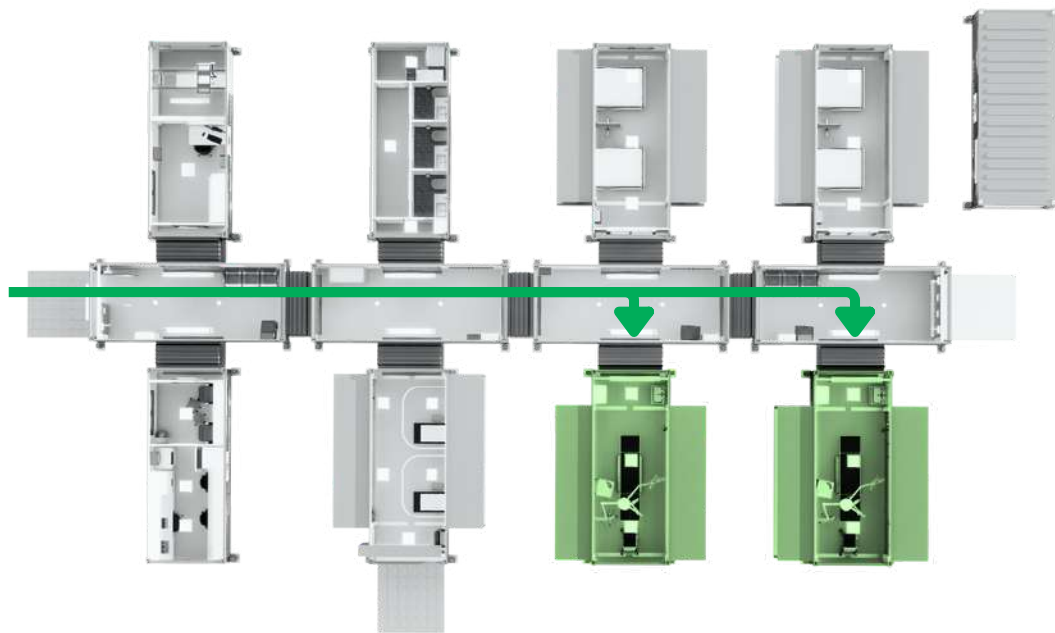


X-ray Unit



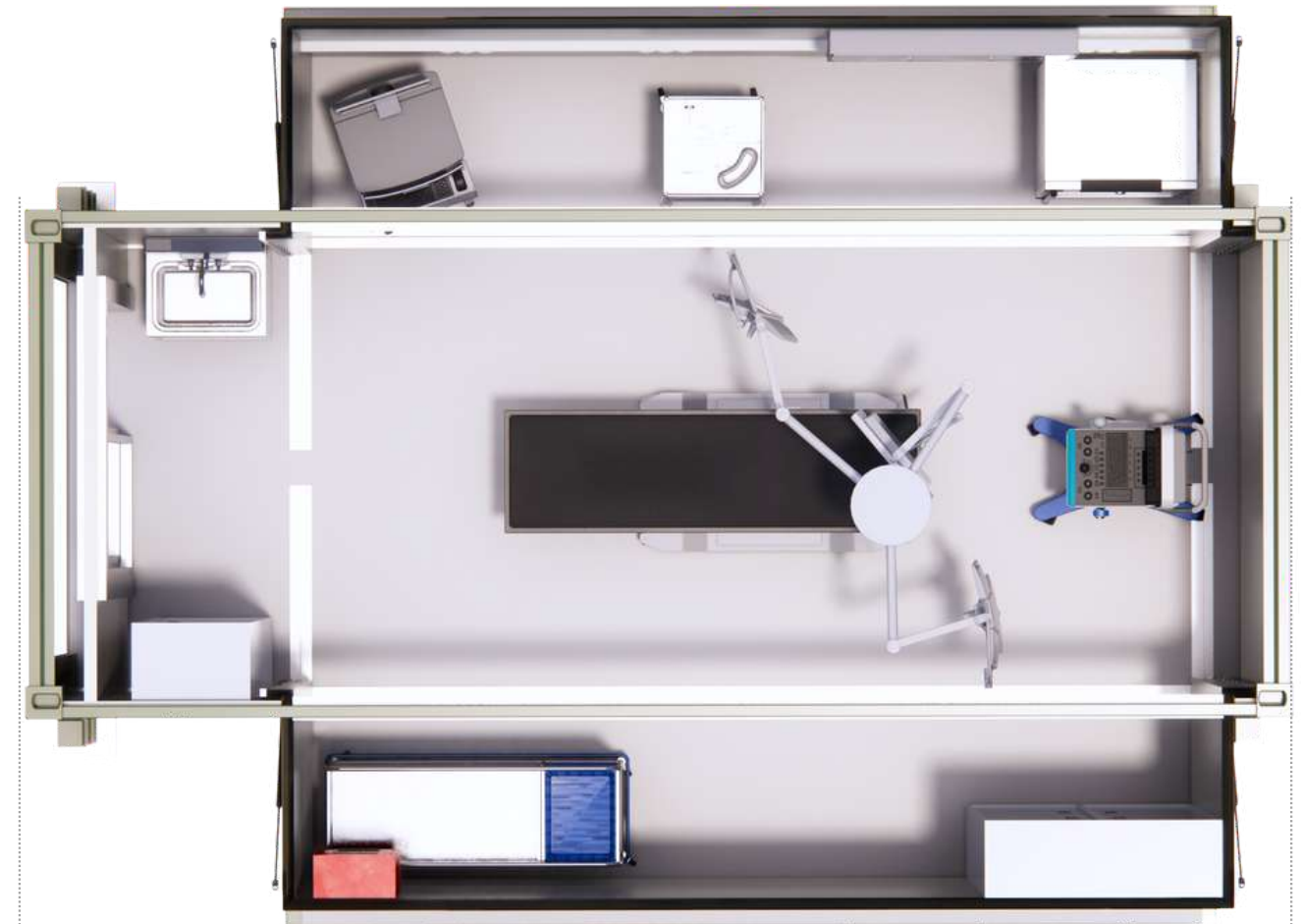


## MOBILE FIELD HOSPITAL Operating Theatre Unit



This department is specially designed operating room units for field hospitals. It is equipped with important equipment necessary for interventions in the operation process. It is built on a 20 ft container that can expand to provide extra space for the team during the operation process. Additionally, more vital equipment can be stored thanks to the opening container and the operation process is facilitated for the staff.

The ventilation system, cooling system, and special floor coverings for sterilization are specifically designed for the container. A special sink system for the medical hand washing of the operation team is integrated at the door entrance. Also, an automatic opening door is used to minimize contact.



Operating Theatre Unit



**Operating Theatre Unit**

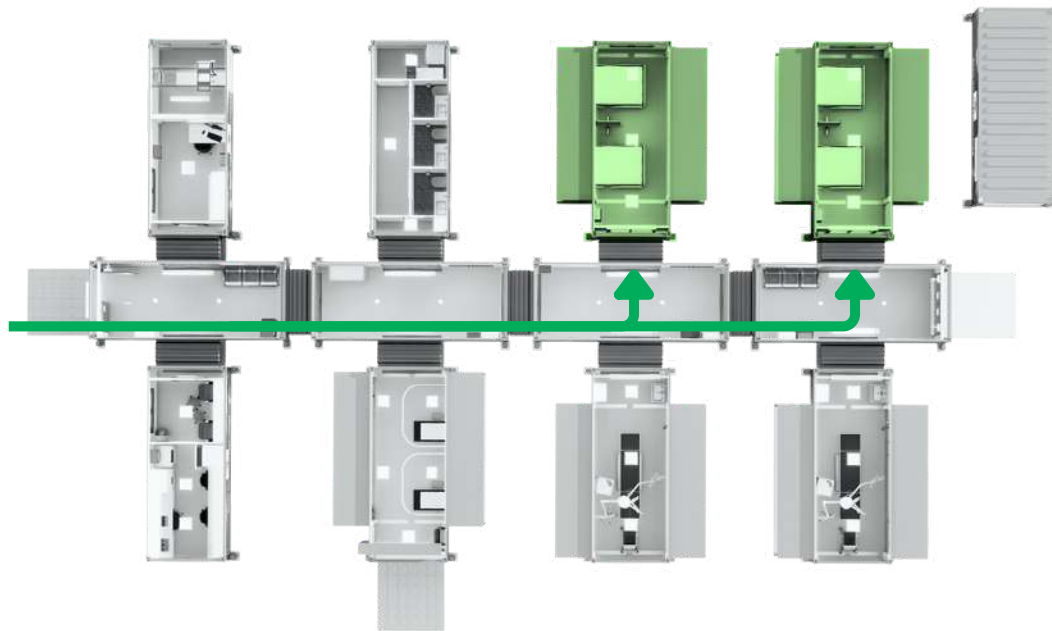




Operating Theatre Unit

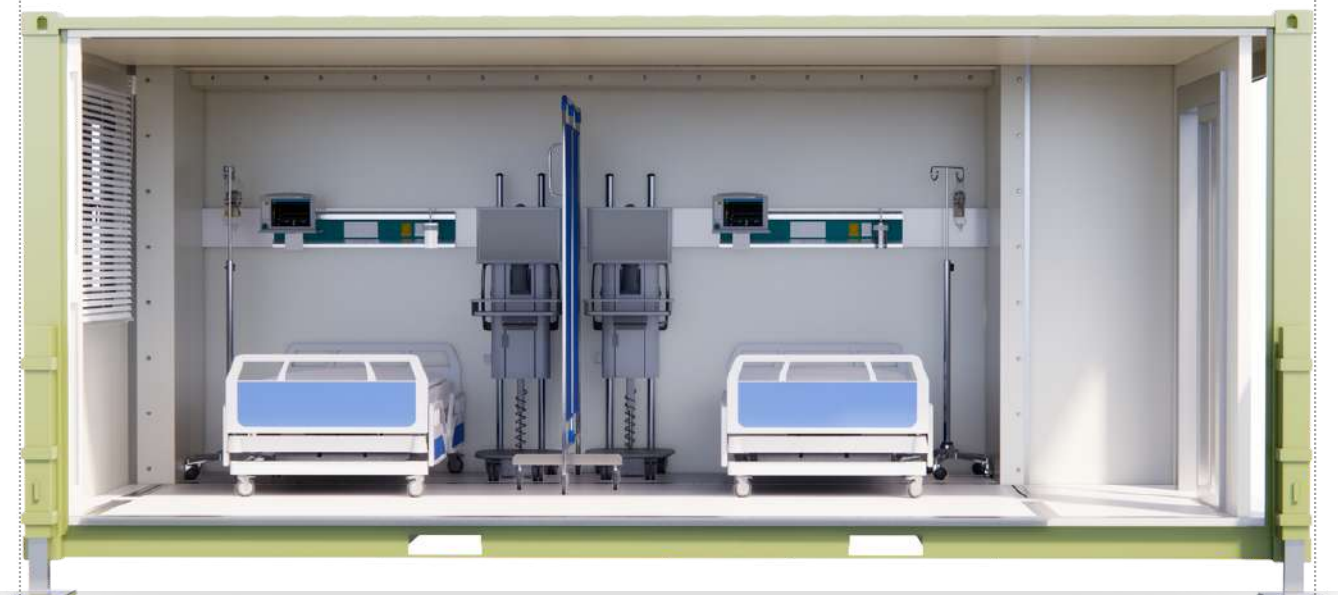


## MOBILE FIELD HOSPITAL Intensive Care Unit (ICU)



The primary objective of this department is to offer patients who require hospitalization with intensive care. Specifically, this department is designed for post-operative or inpatient procedures. The unit is built using a 20 ft container that can comfortably accommodate two patient beds. It also includes lockers that can be used to store medication and inventory.

Upon expanding the container, there is ample interior space for equipment and staff to attend to the patients. All necessary equipment required for the patients' comfort and health is available. The floor coverings, ventilation, and heating/cooling systems have been specially designed to cater to the patients' needs. The department's primary goal is to provide a safe, comfortable, and private treatment experience for the patients in its care.



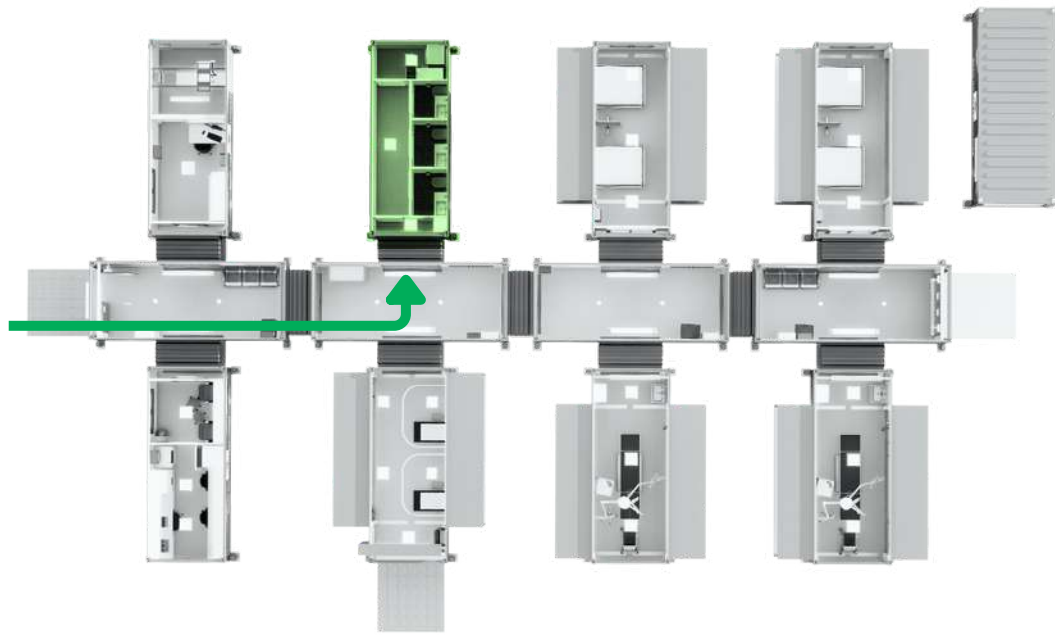




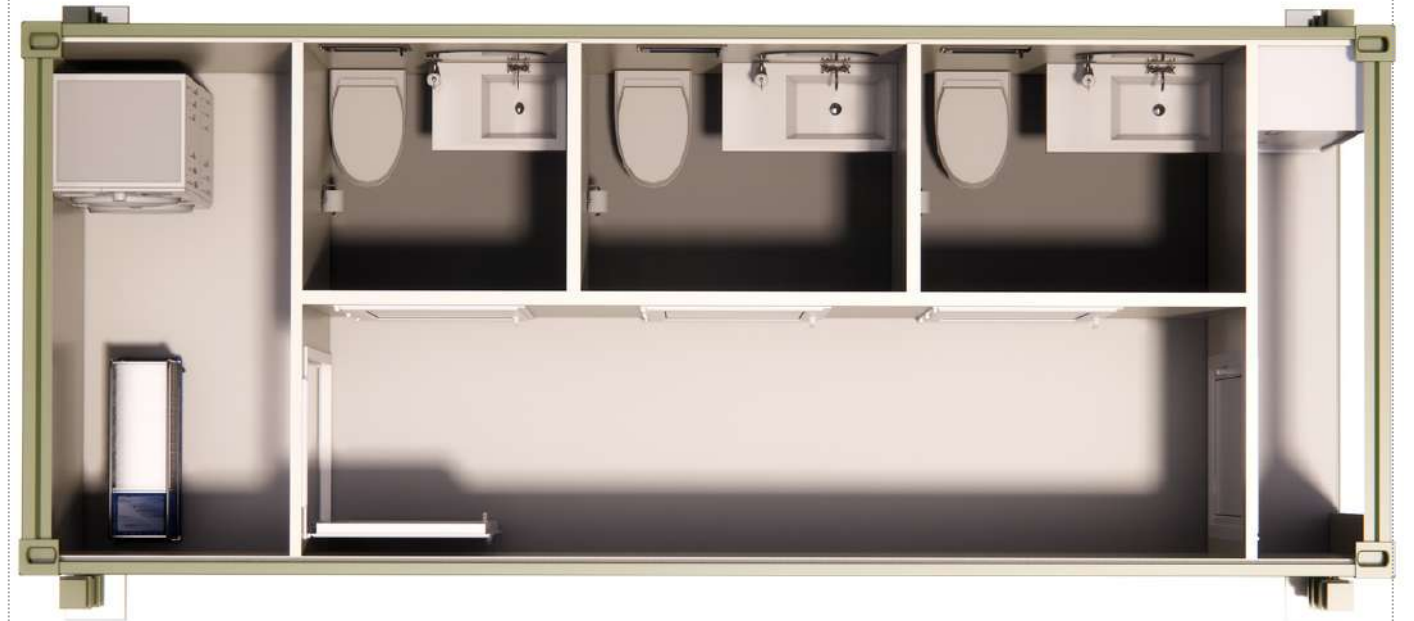
Intensive Care Unit



## MOBILE FIELD HOSPITAL Laundry & Toilet Unit



This container boasts a dual functionality, serving two distinct purposes. While one section of the container is designated as a restroom area, the remaining space at the back is specifically designed to function as a laundry area. The laundry area is intended to facilitate the washing and drying of materials used in field hospitals, ultimately leading to their sterilization. Three toilet cabins have been placed by utilizing the space in the most efficient way.





**Laundry & Toilet**

